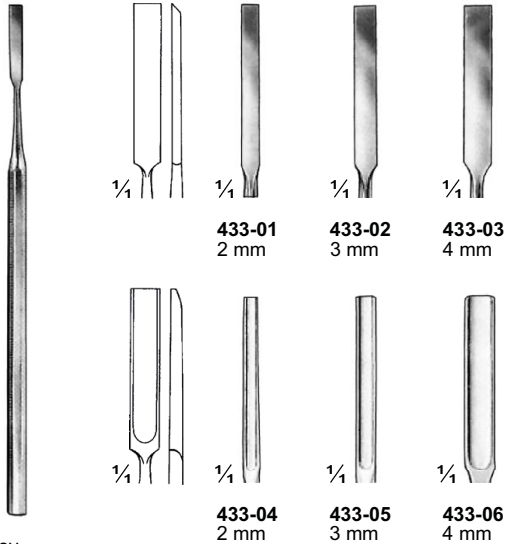




stetten  
INSTRUMENTAIS CIRÚRGICOS

# FORMÕES, OSTEÓTOMOS E RASPADORES

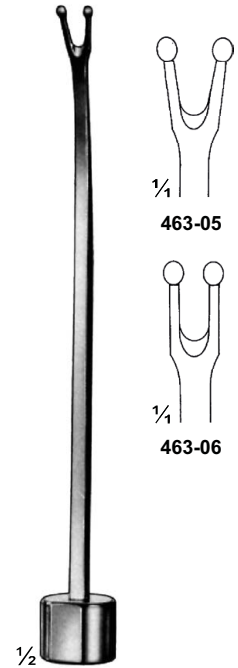
# OSTEOTÓMOS



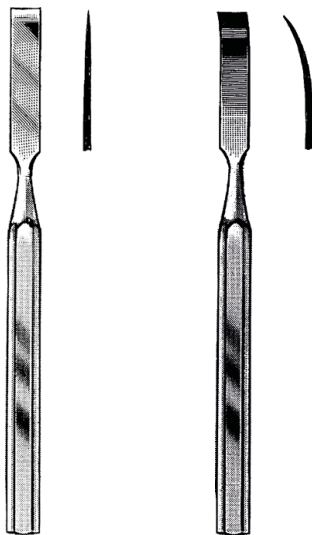
Buckley  
433-01 To 433-06  
16cm / 6 1/4"

Bishop  
434-15 2 mm  
434-16 3 mm  
434-17 4 mm  
434-18 5 mm  
434-19 6 mm  
434-20 8 mm  
15 cm / 6"

Bishop  
434-21 2 mm  
434-22 3 mm  
434-23 4 mm  
434-24 5 mm  
434-25 6 mm  
15cm / 6"

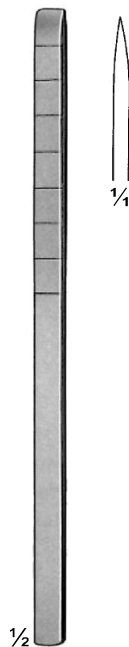


Obwegesser  
463-05 & 463-06  
18.5 cm / 7 1/4"

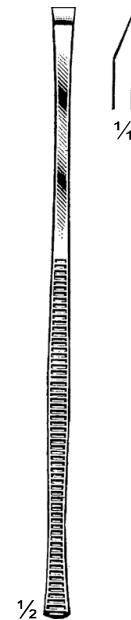


Hoke  
436-19 3 mm  
436-20 4.5 mm  
436-21 6 mm  
436-22 8 mm  
436-23 10mm  
436-24 12 mm  
14 cm / 5 1/2"

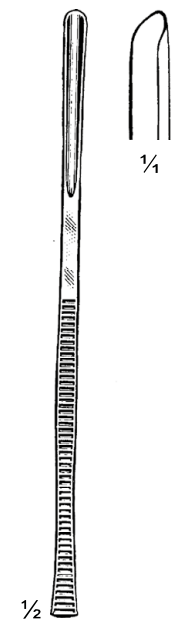
Hoke  
436-25 3 mm  
436-26 4.5 mm  
436-27 6 mm  
436-28 8 mm  
436-29 10mm  
436-30 12 mm  
14 cm / 5 1/2"



Cottle  
438-13 4 mm  
438-14 6 mm  
438-15 8 mm  
438-16 10mm  
438-17 12mm  
18cm / 7"

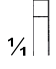
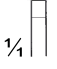
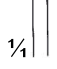
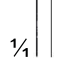
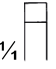
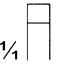
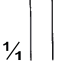
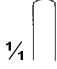




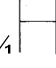
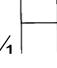
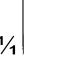
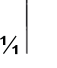
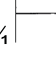
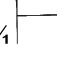
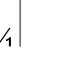
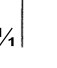
















Bishop  
434-26 3mm  
434-27 4 mm  
434-28 5 mm  
17 cm / 6 3/4"



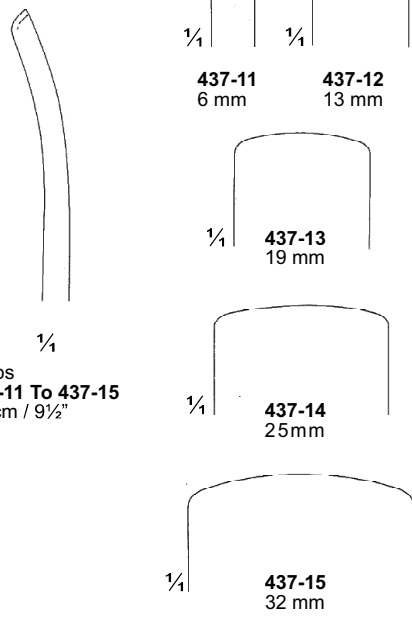
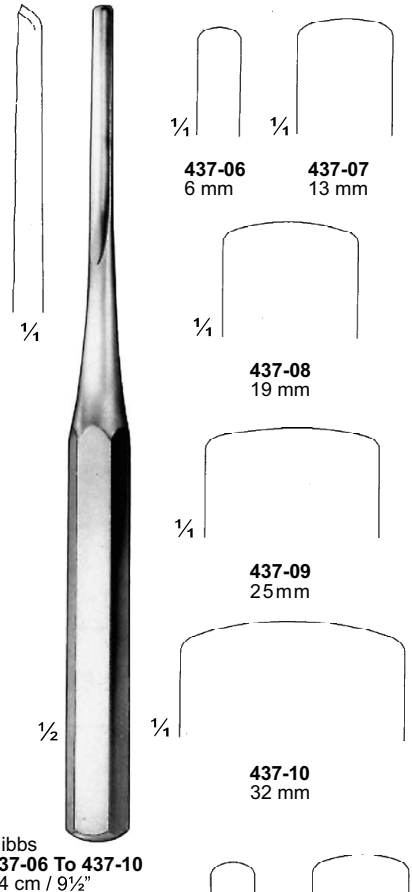
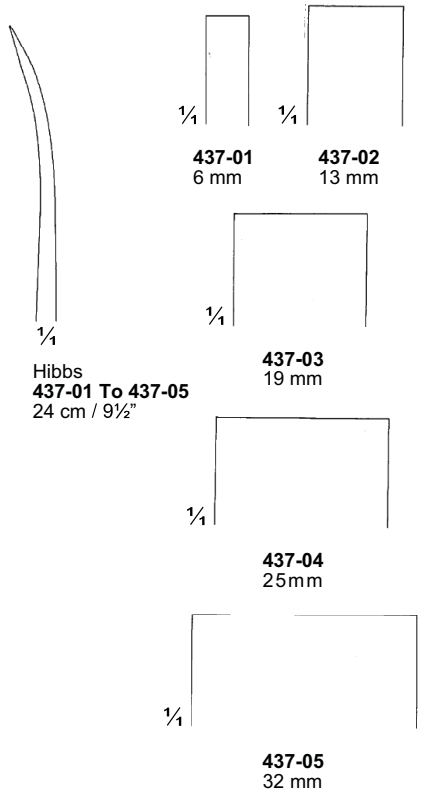
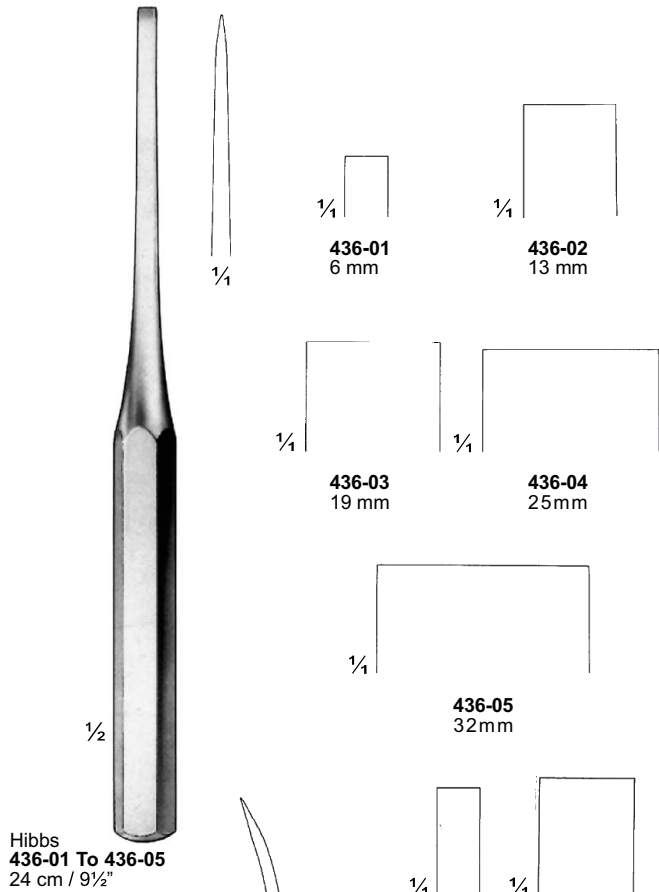
Bishop  
434-29 3 mm  
434-30 4 mm  
434-31 5 mm  
17 cm / 6 3/4"

# OSTEOTÓMOS

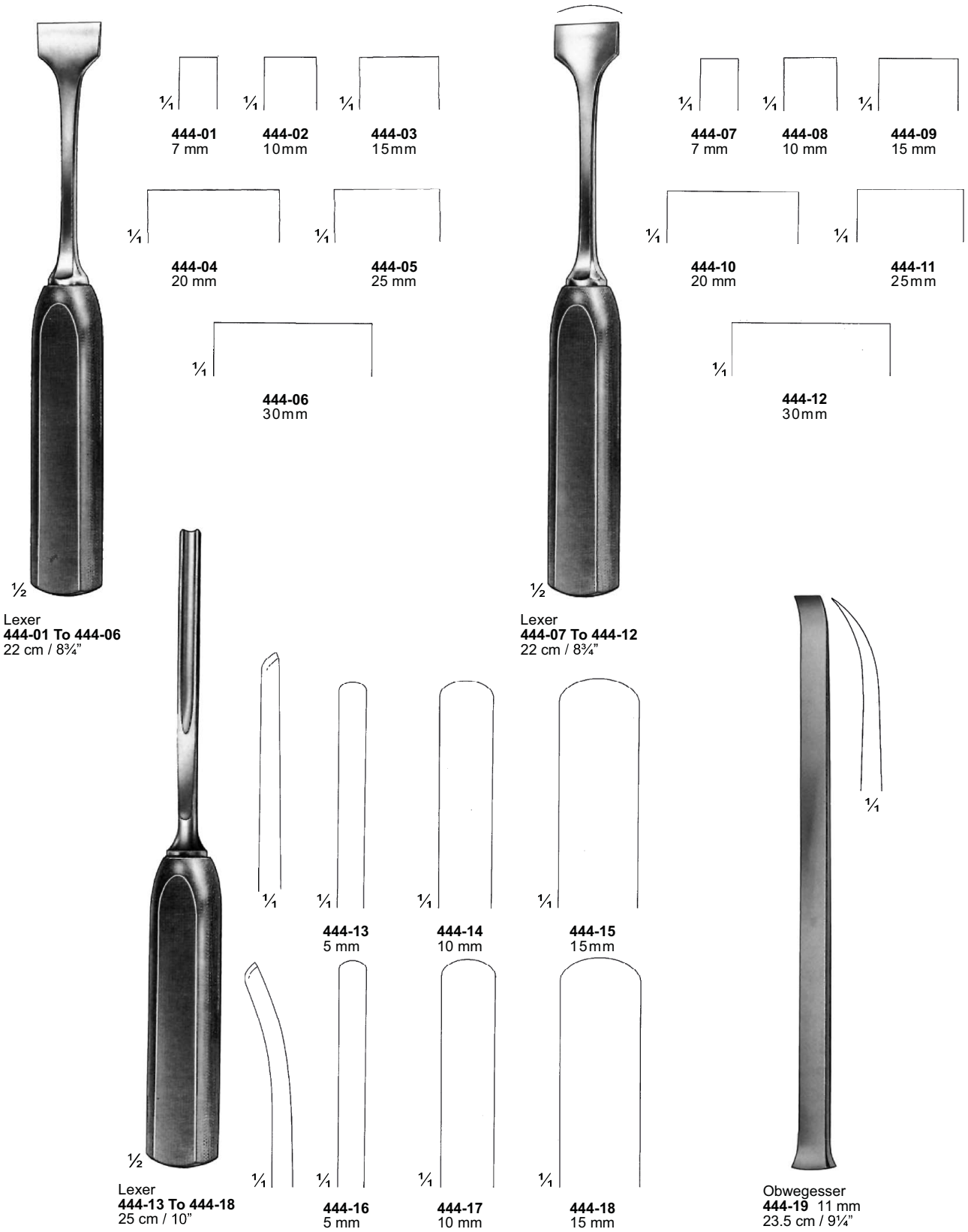
	<b>435-01</b> 2 mm		<b>435-06</b> 2 mm		<b>435-11</b> 2 mm		<b>435-16</b> 2 mm
	<b>435-02</b> 3 mm		<b>435-07</b> 3 mm		<b>435-12</b> 3 mm		<b>435-17</b> 3 mm
	<b>435-03</b> 4 mm		<b>435-08</b> 4 mm		<b>435-13</b> 4 mm		<b>435-18</b> 4 mm
	<b>435-04</b> 5 mm		<b>435-09</b> 5 mm		<b>435-14</b> 5 mm		<b>435-19</b> 5 mm
	<b>435-05</b> 6 mm		<b>435-10</b> 6 mm		<b>435-15</b> 6 mm		<b>435-20</b> 6 mm
	<b>Partsch</b> <b>435-01 To 435-05</b> 13.5 cm / 5 1/4"		<b>Partsch</b> <b>435-06 To 435-10</b> 17 cm / 6 3/4"		<b>435-11 To 435-15</b> 13.5 cm / 5 1/4"		<b>435-16 To 435-20</b> 17 cm / 6 3/4"

					
<b>435-21</b> 4 mm	<b>435-22</b> 4 mm	<b>435-27</b> 6 mm			
	<b>Freer</b> <b>435-21 &amp; 435-22</b> 16 cm / 6 1/4"		<b>Freer</b> <b>435-27</b> 15 cm / 6"		<b>West</b> <b>435-32</b> 16 cm / 6 1/4" 4 mm
					<b>West</b> <b>435-33</b> 16 cm / 6 1/4" 4 mm

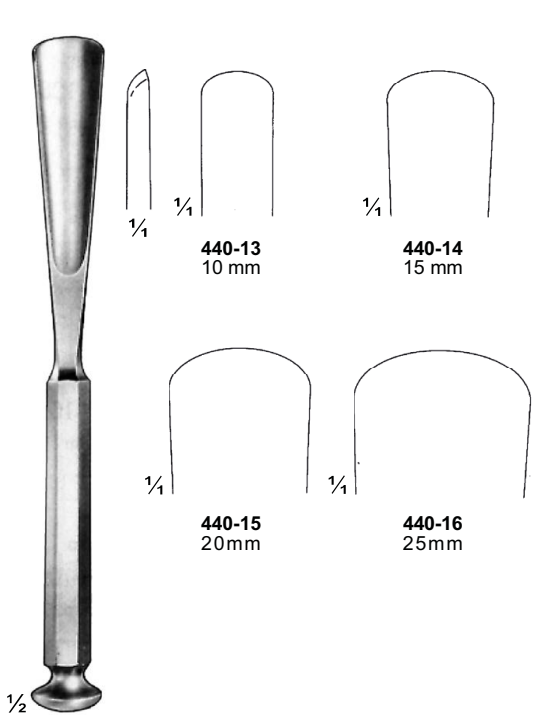
# OSTEOTÓMOS



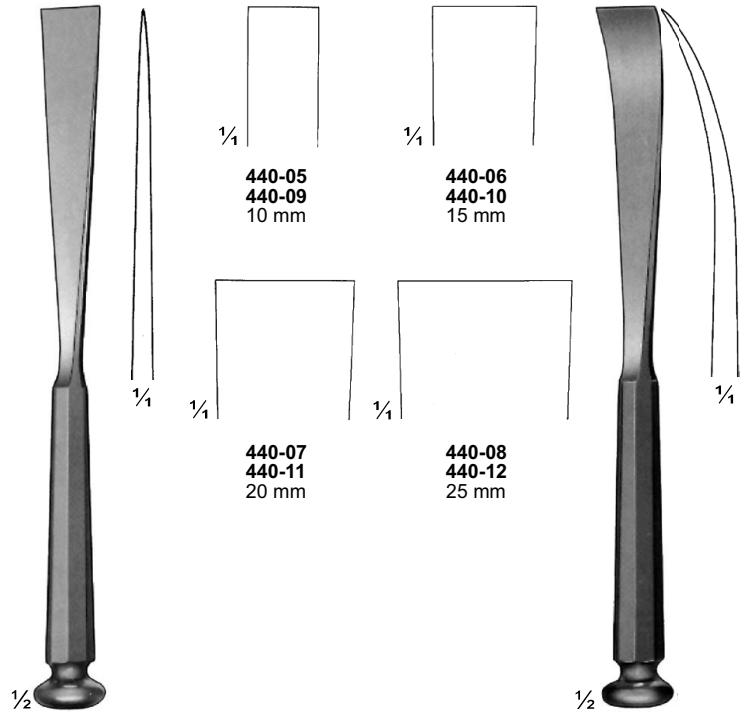
# OSTEÓTOMOS



# OSTEOTÓMOS E FORMÕES

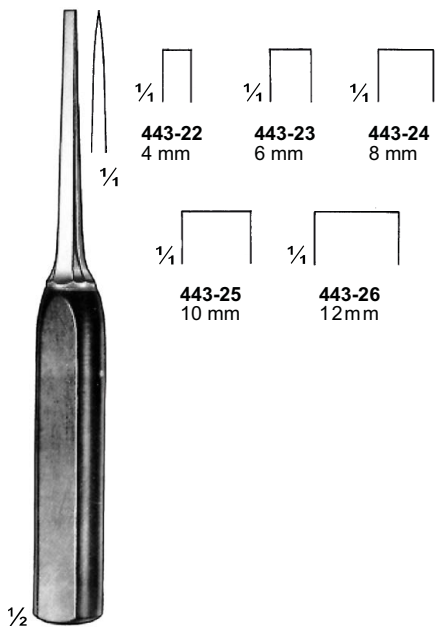


Stille  
440-13 To 440-16  
20 cm / 8"

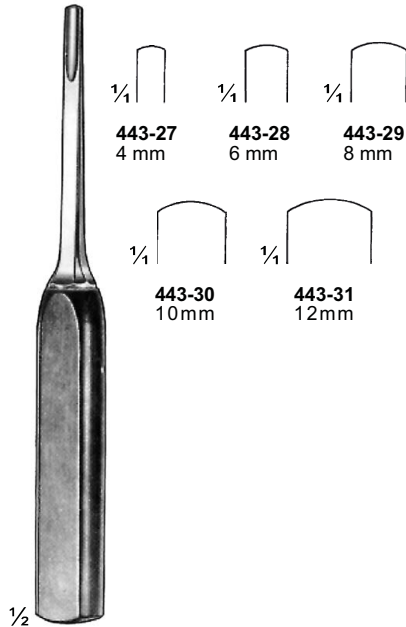


Stille  
440-05 To 440-08  
20 cm / 8"

Stille  
440-09 To 440-12  
20 cm / 8"

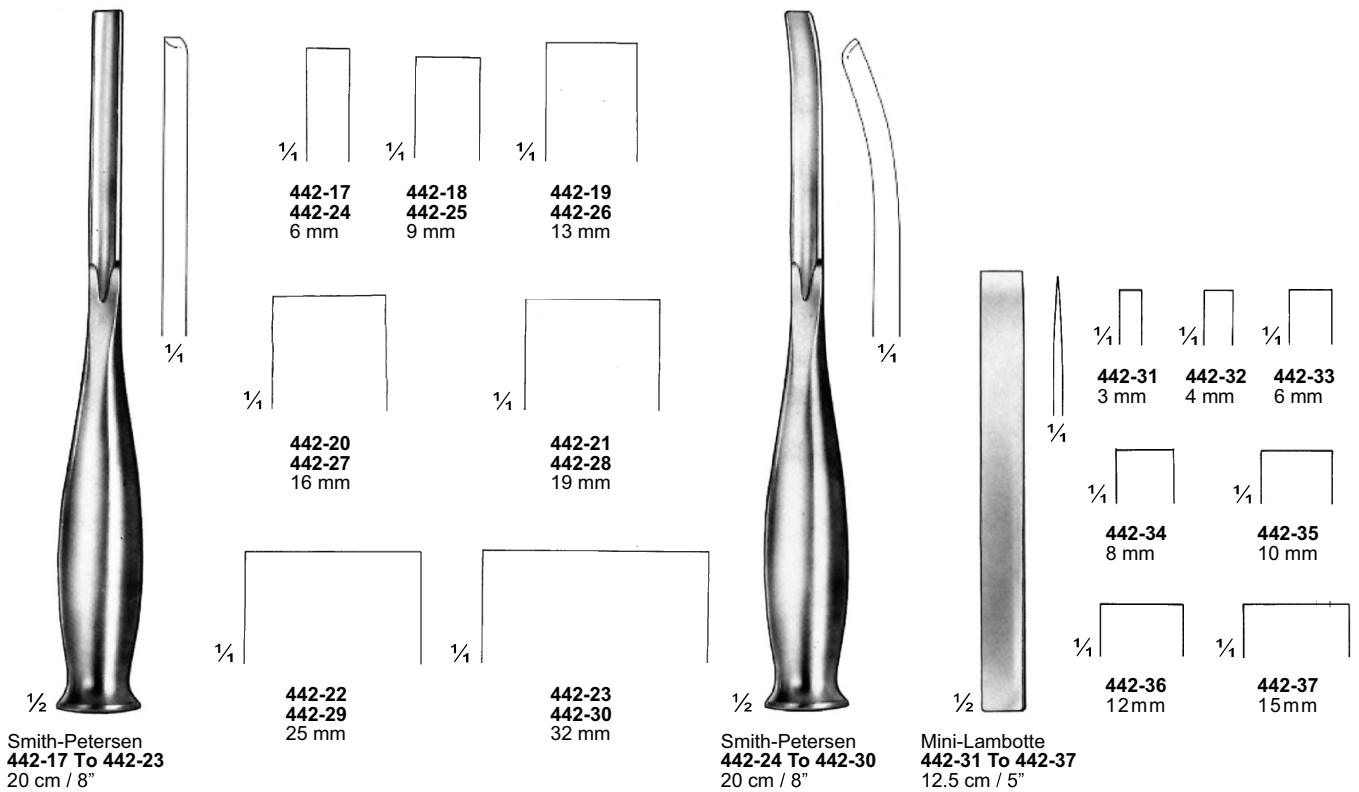
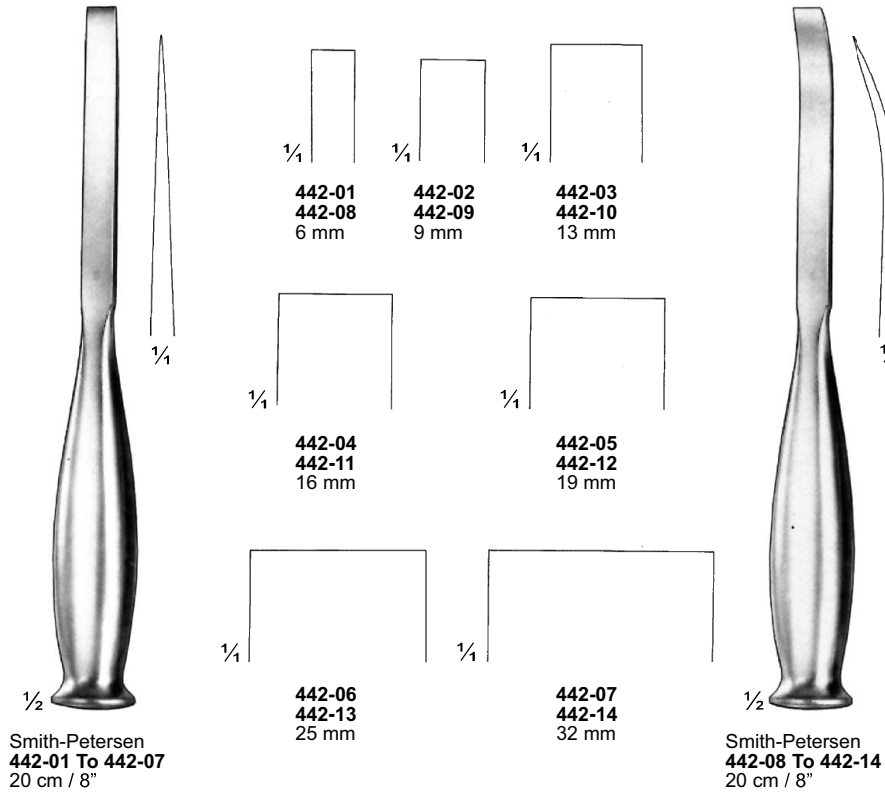


Mini-Lexer  
443-22 To 443-26  
18 cm / 7"



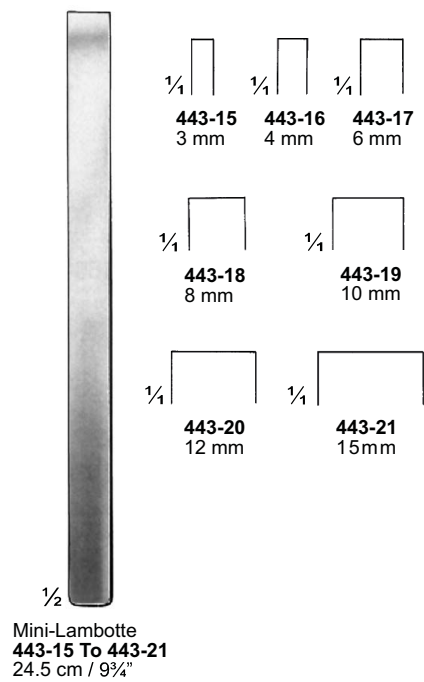
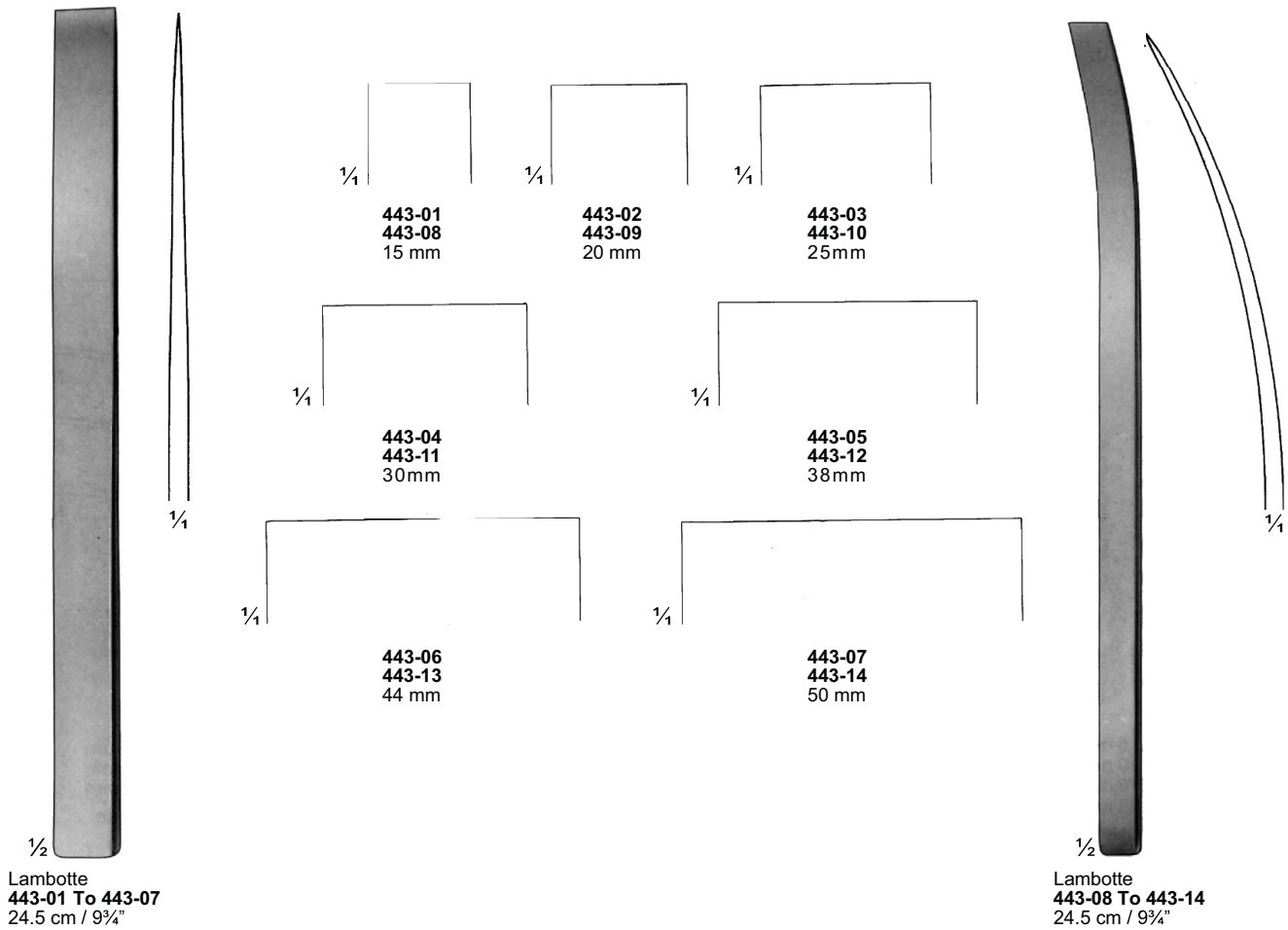
Mini-Lexer  
443-27 To 443-31  
18 cm / 7"

# FORMÕES

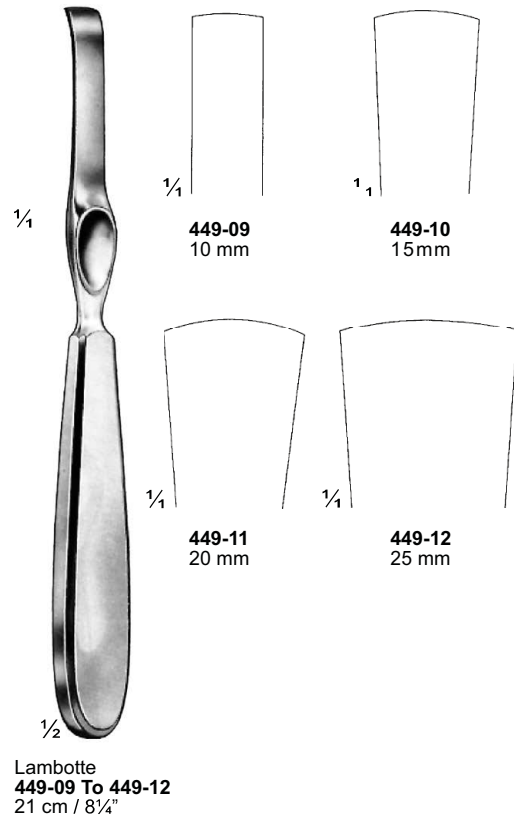
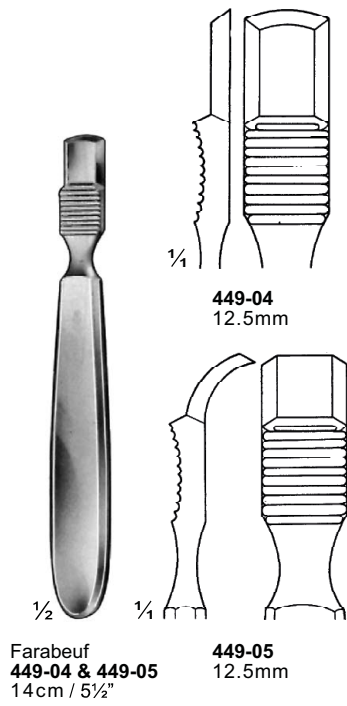




# FORMÕES



# RASPADORES / LIMAS



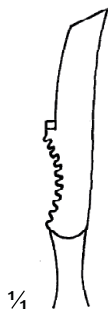
# RASPADORES / LIMAS



Farabeuf  
449-13 & 449-14  
15 cm / 6"



449-13  
13 mm



449-14  
13 mm



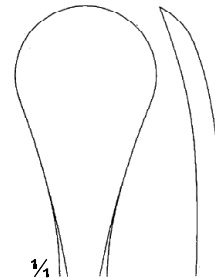
Hoen  
450-12 To 450-14



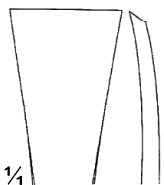
450-12  
16 cm / 6 1/4"  
7 mm



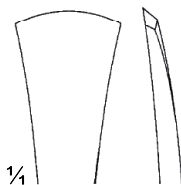
450-13  
18.5 cm / 7 1/4"  
15 mm



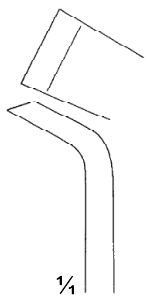
450-14  
19 cm / 7 1/2"  
20 mm



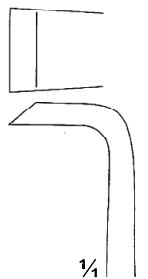
451-13  
19 cm / 7 1/2"  
16 mm



451-14  
19 cm / 7 1/2"  
16 mm



451-15  
19 cm / 7 1/2"  
12 mm



451-16  
18 cm / 7"  
12 mm



Langenbeck  
451-13 To 451-16



Lempert  
454-03 To 454-07  
17 cm / 6 3/4"  
Sharp



454-03  
2 mm



454-04  
3 mm



454-05  
4 mm



454-06  
5 mm

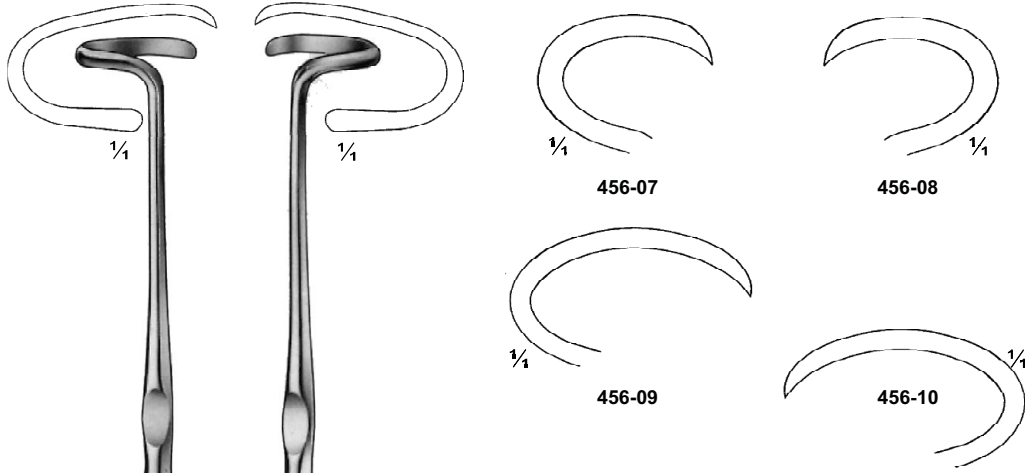


454-07  
3.5 mm

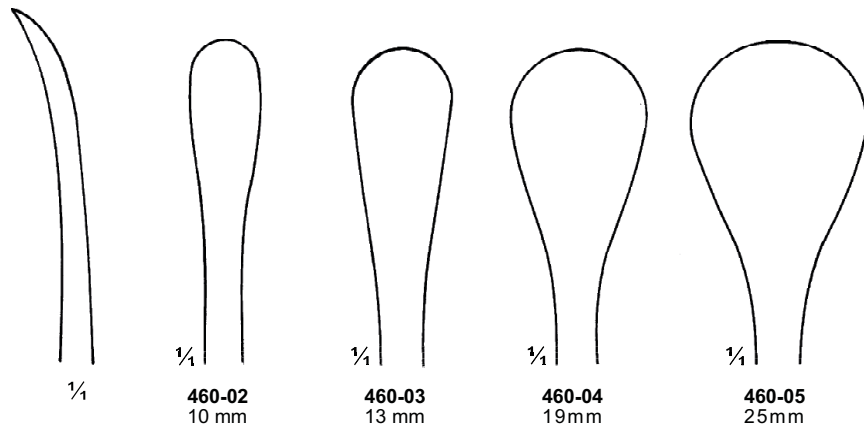
# RASPADORES / LIMAS



# RASPADORES / LIMAS

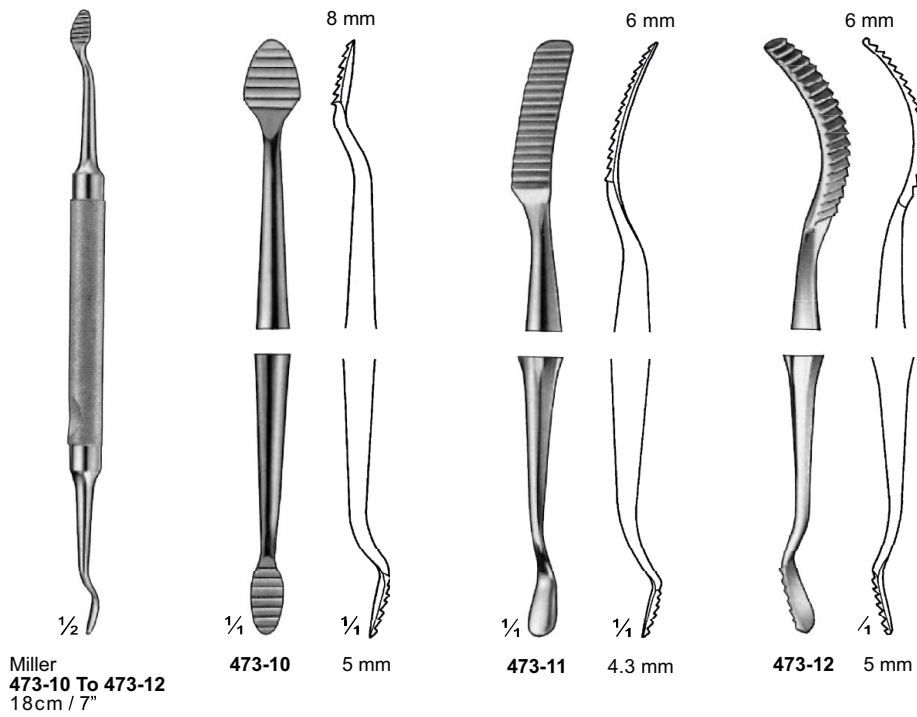
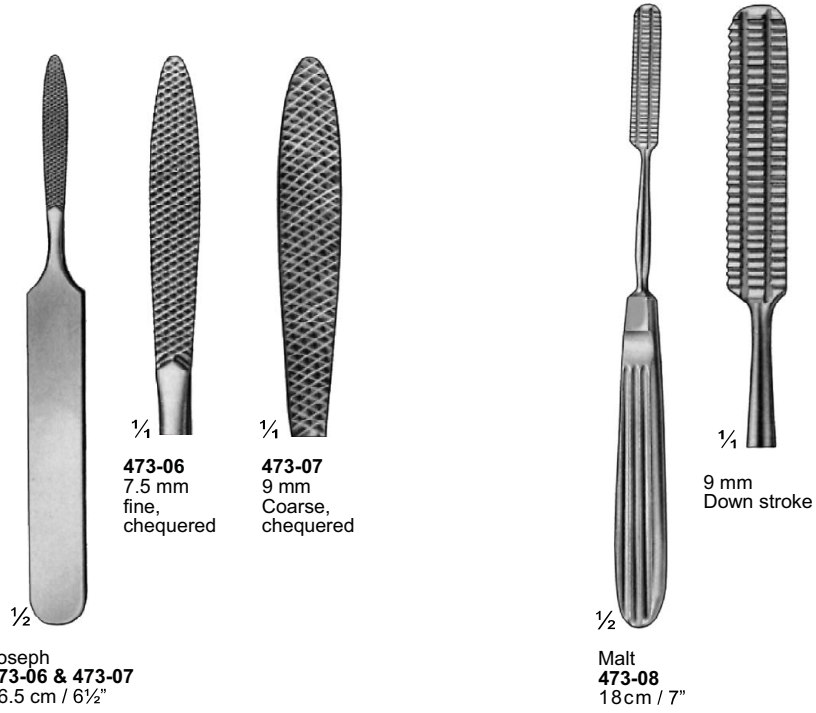


Doyen  
**456-07 To 456-10**  
 17 cm / 6¾"  
**456-11**  
 24 cm / 9½"  
**456-12**  
 24 cm / 9½"

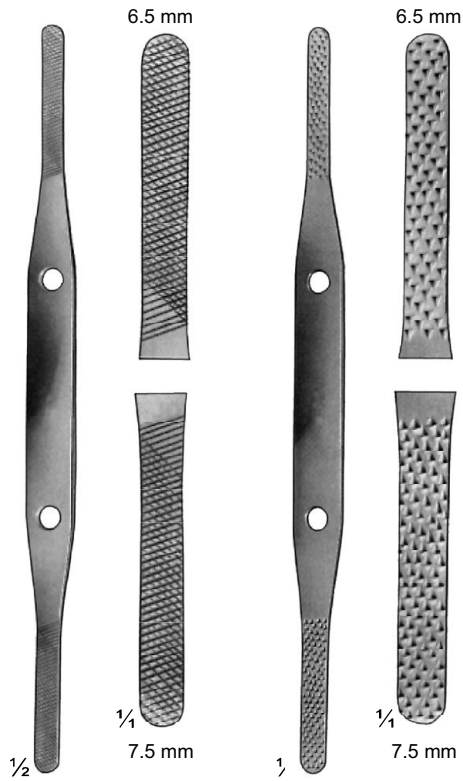


Cobb  
**460-02 To 460-05**  
 25 cm / 10"

# RASPADORES / LIMAS

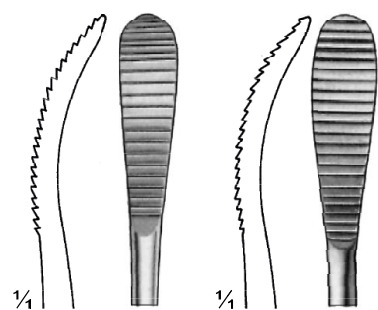


# RASPADORES / LIMAS



Fomon  
474-01  
21.5 cm / 8½"

Fomon  
474-02  
21.5 cm / 8½"



474-04  
9 mm  
Up stroke

474-05  
9 mm  
Down stroke



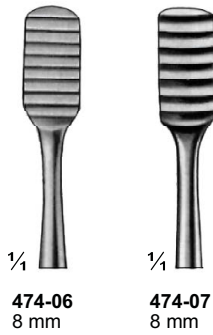
Putti  
474-08  
30 cm / 12"



Putti  
474-09  
27 cm / 10½"



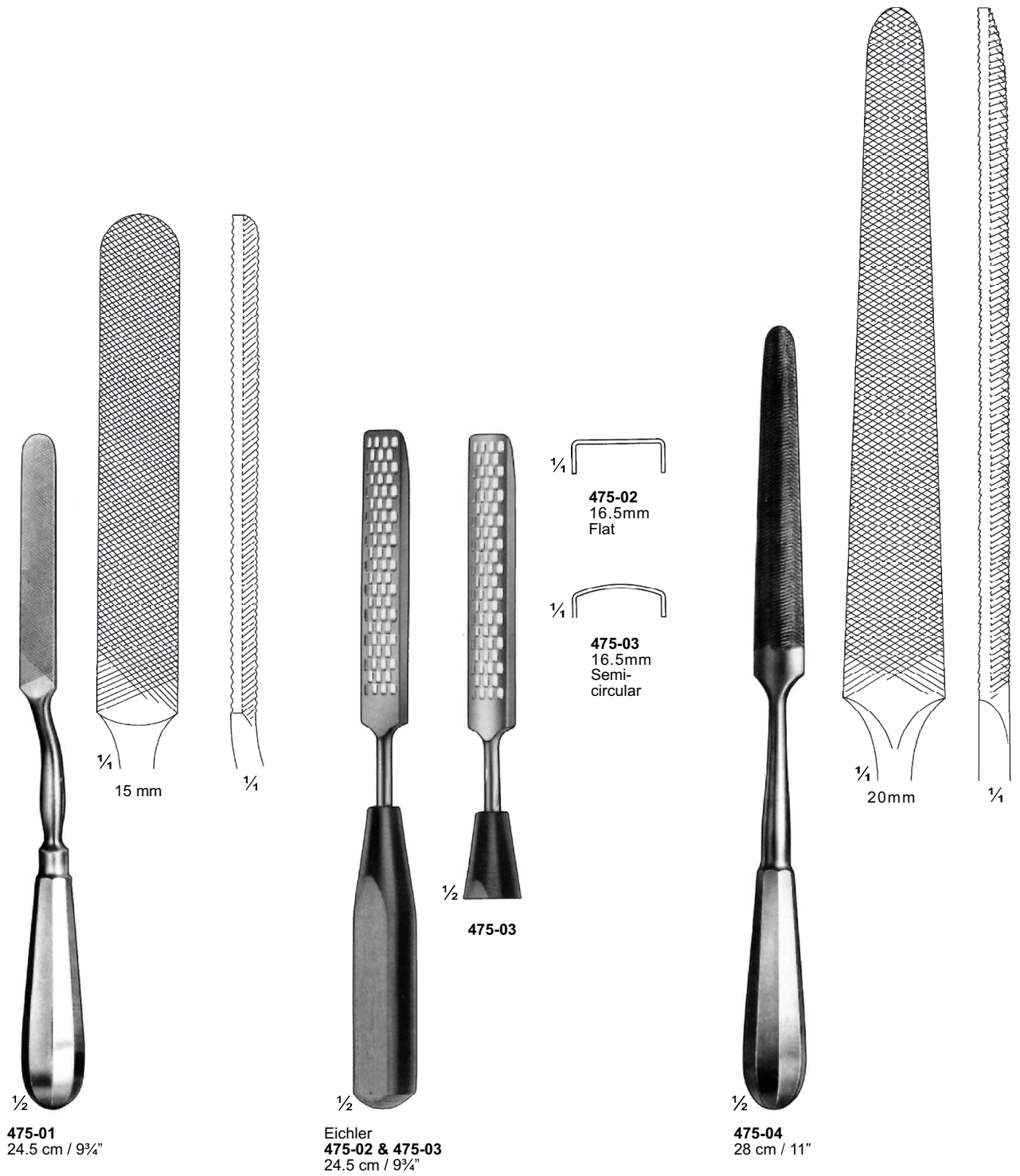
Lewis  
474-06 & 474-07  
18cm / 7"



474-06  
8 mm

474-07  
8 mm

# RASPADORES / LIMAS





# RASPADORES PARA RINOPLASTIA



Freer  
**633-01**  
16 cm / 6 1/4"



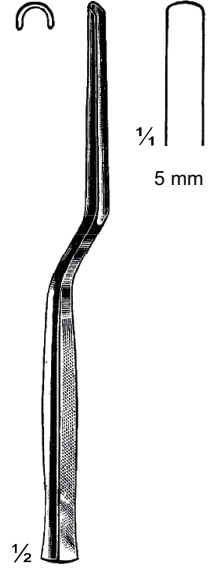
Freer  
**633-02**  
16 cm / 6 1/4"



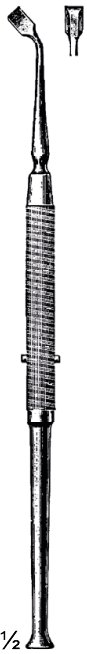
Freer  
**633-03** 4 mm  
**633-04** 6 mm  
17 cm / 6 3/4"



Ballenger  
**633-05** 4 mm  
**633-06** 6 mm  
17 cm / 6 3/4"



Killian  
**633-07**  
16 cm / 6 1/4"



Freer  
**633-09 & 633-10**  
19 cm / 7 1/2"



**633-09**  
4 mm

**633-10**  
4 mm



Cottle  
**634-01 To 634-04**  
18 cm / 7"

**634-01**  
4 mm

**634-02**  
7 mm

**634-03**  
9 mm

**634-04**  
12 mm

**634-13**  
4 mm

**634-14**  
7 mm

**634-15**  
9 mm

**634-16**  
12 mm



Cottle  
**634-13 To 634-16**  
18 cm / 7"

**634-19**  
4 mm

**634-20**  
7 mm

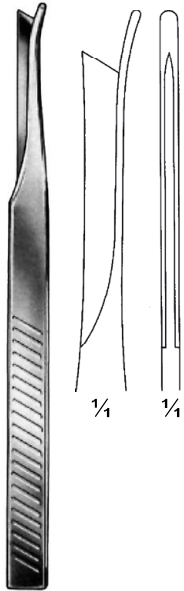
**634-21**  
9 mm

**634-22**  
12 mm

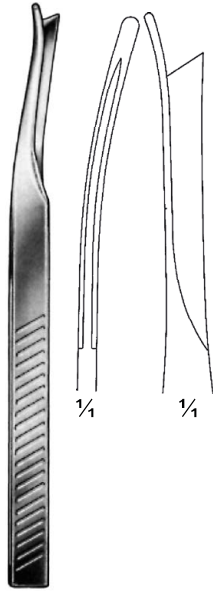


Cottle  
**634-19 To 634-22**  
18 cm / 7"

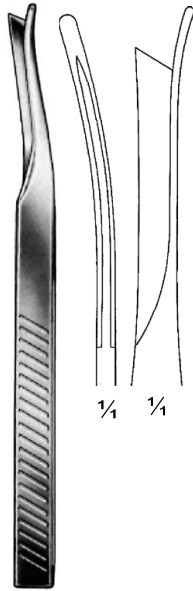
# RASPADORES PARA RINOPLASTIA



Silver  
635-03  
18 cm / 7"



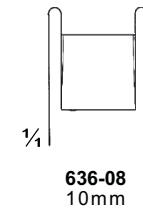
Silver  
635-04  
18 cm / 7"



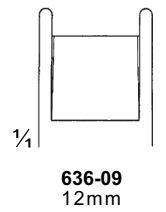
Silver  
635-05  
18 cm / 7"



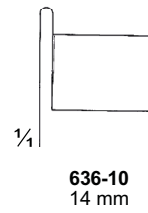
Cinelli  
636-08 To 636-11  
18 cm / 7"



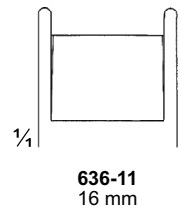
636-08  
10mm



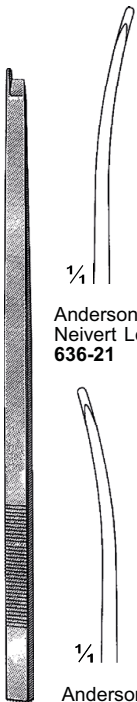
636-09  
12mm



636-10  
14 mm



636-11  
16 mm



Anderson-  
Neivert Left  
636-21

Neivert  
636-20  
636-20 To 636-22  
20 cm / 8"



Anderson-  
Neivert Right  
636-22



Joseph  
640-04 To 640-06  
19 cm / 7½"



640-01  
640-04



640-02  
640-05



640-03  
640-06



640-07

Wiener  
640-07 & 640-08  
18 cm / 7"



640-08

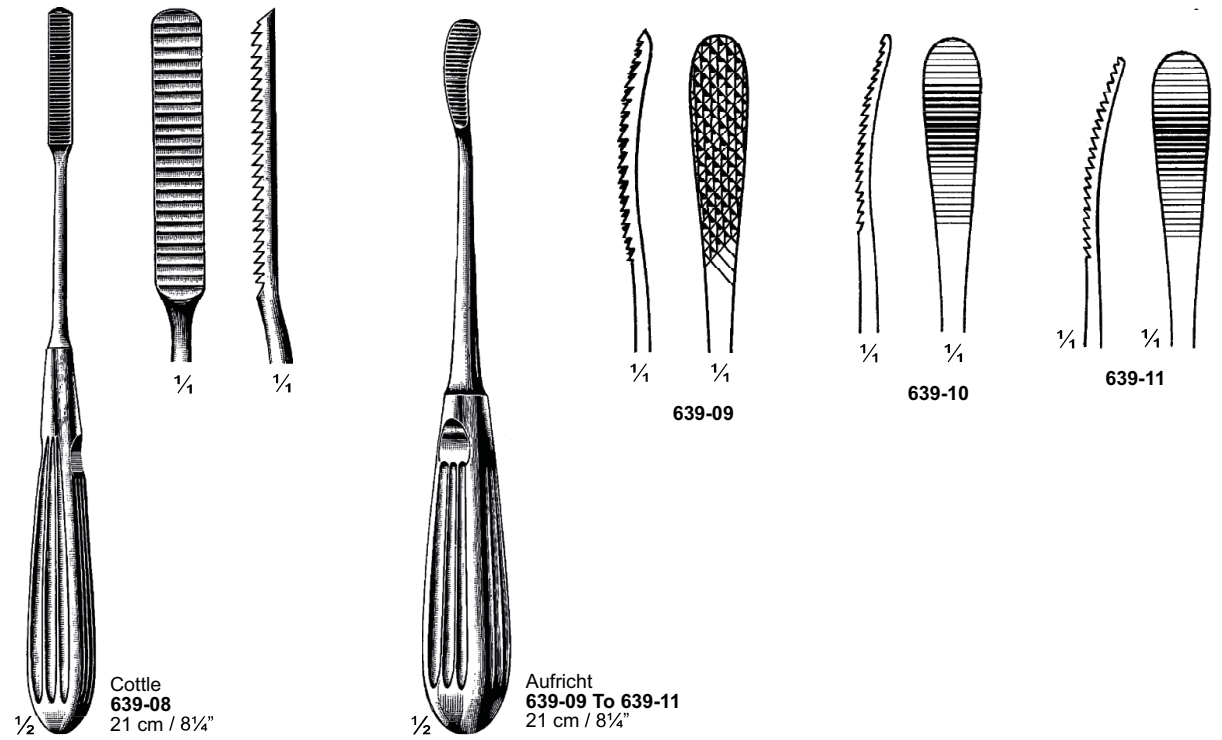
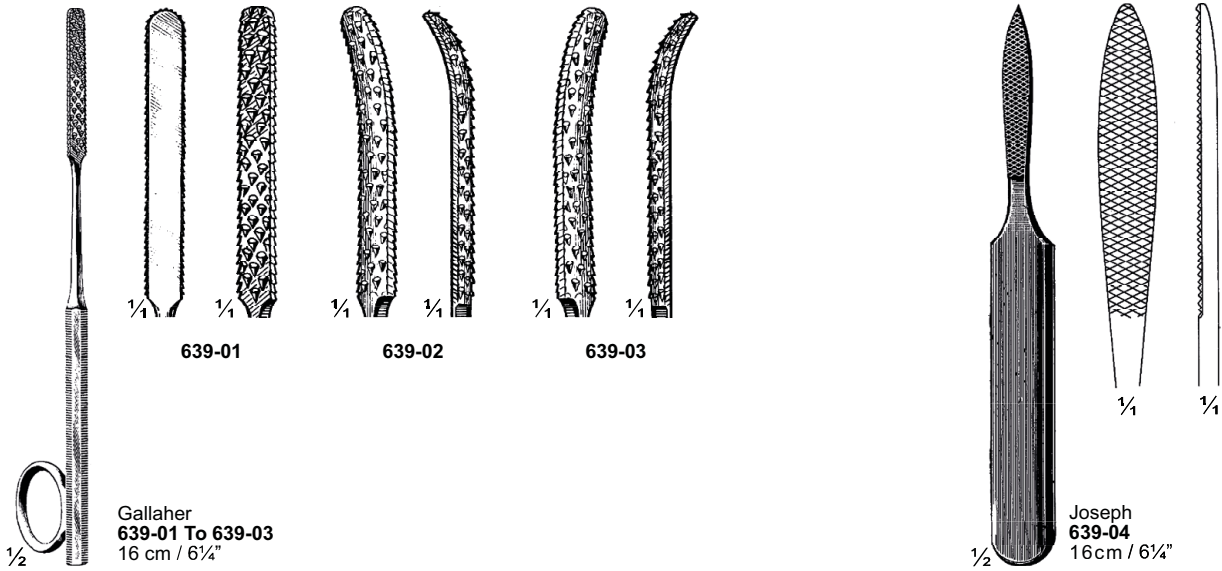


Masing  
640-13  
21 cm / 8¼"

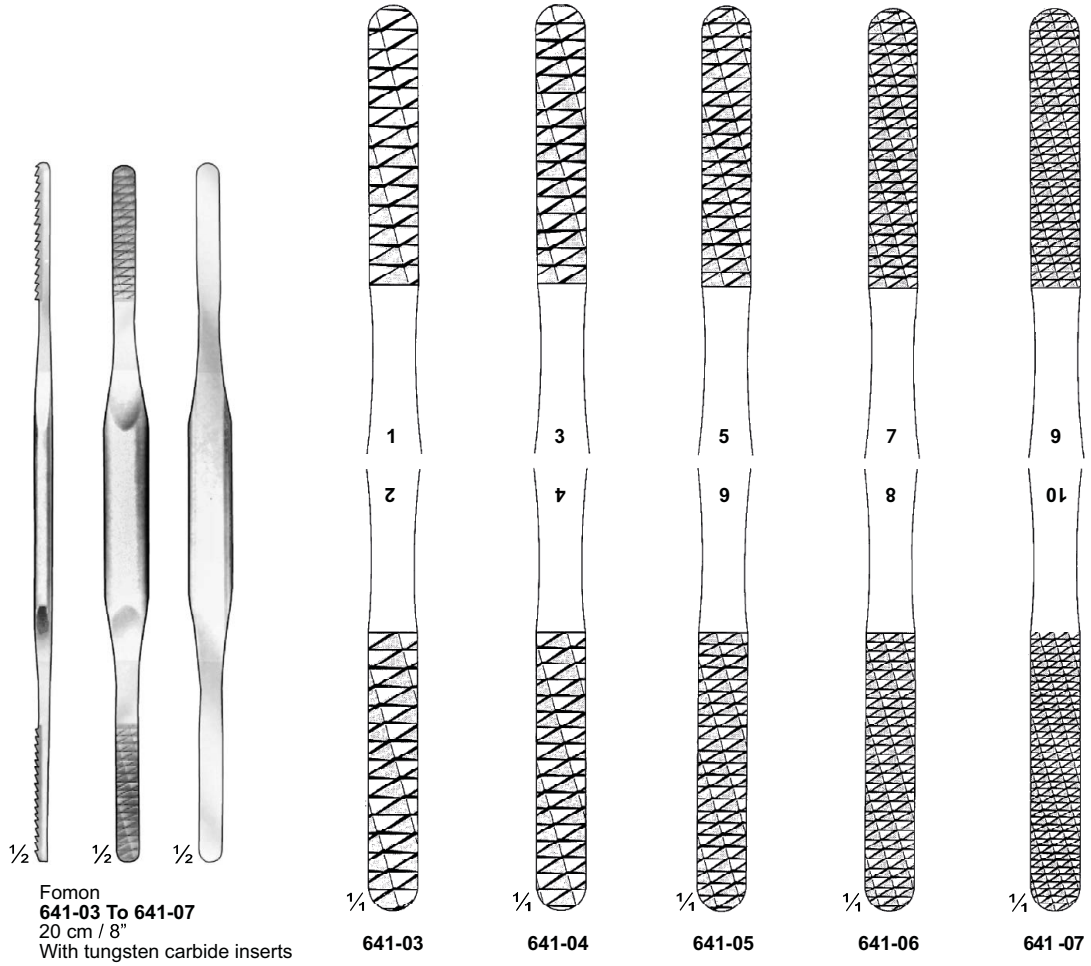


Masing  
640-14  
21 cm / 8¼"

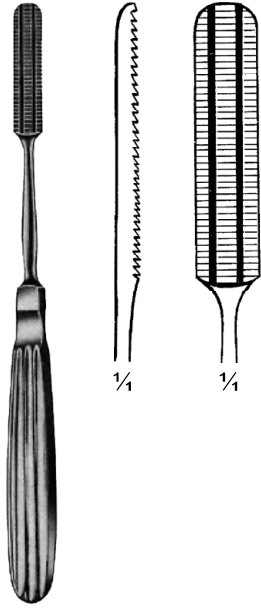
# RASPADORES PARA RINOPLASTIA



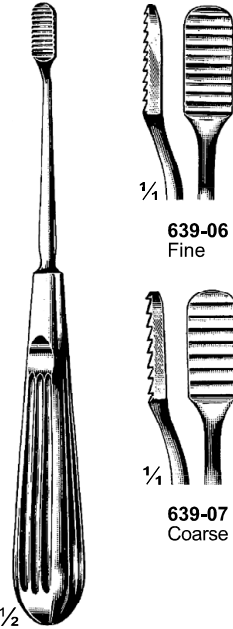
# RASPADORES PARA RINOPLASTIA



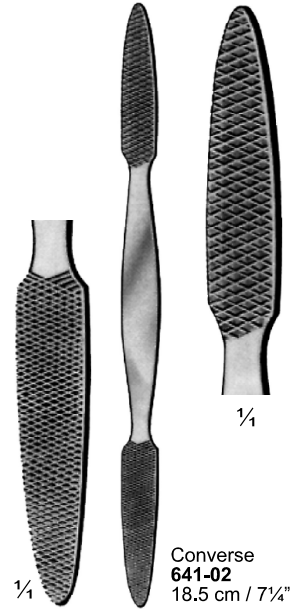
# RASPADORES PARA RINOPLASTIA



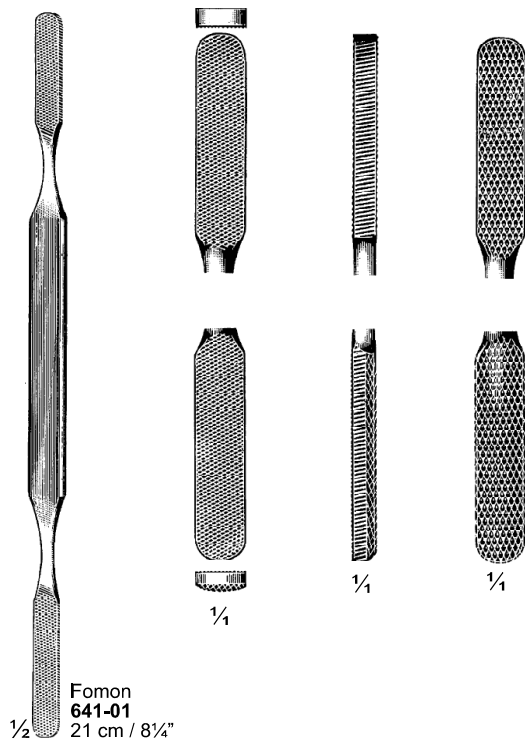
Maltz  
639-05  
18 cm / 7"



Lewis  
639-06 & 639-07  
18 cm / 7"



Converse  
641-02  
18.5 cm / 7 1/4"



Fomon  
641-01  
21 cm / 8 1/4"



Tecnologia Alemã **Pius Lang:**



Distribuído por:



[www.stetten.com.br](http://www.stetten.com.br)

Rua Luiza Grinalda, 550, Ed. Plaza Top Center, sala 201, Centro, Vila Velha/ES. CEP 29100-240  
27 3534-5752 • [admfarbo@farbomedical.com.br](mailto:admfarbo@farbomedical.com.br)